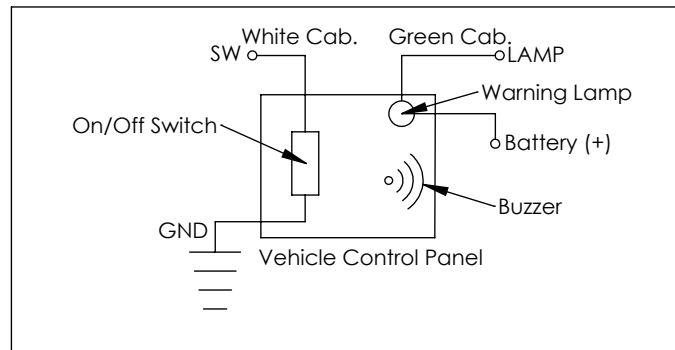
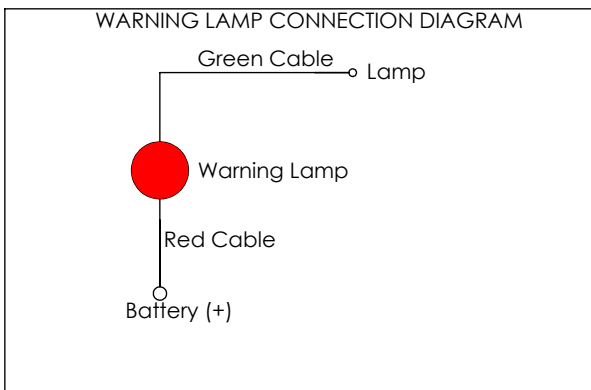
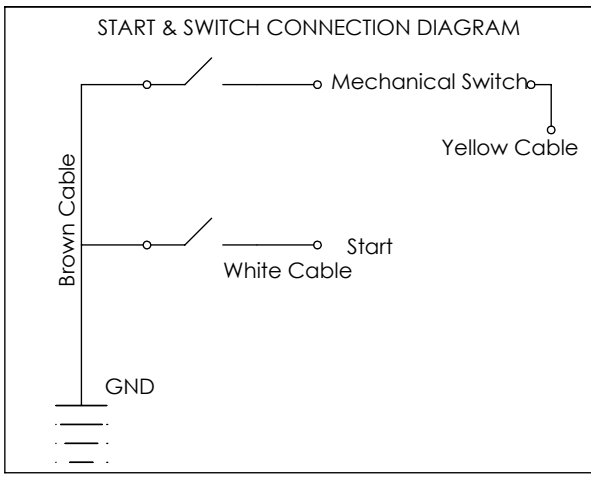
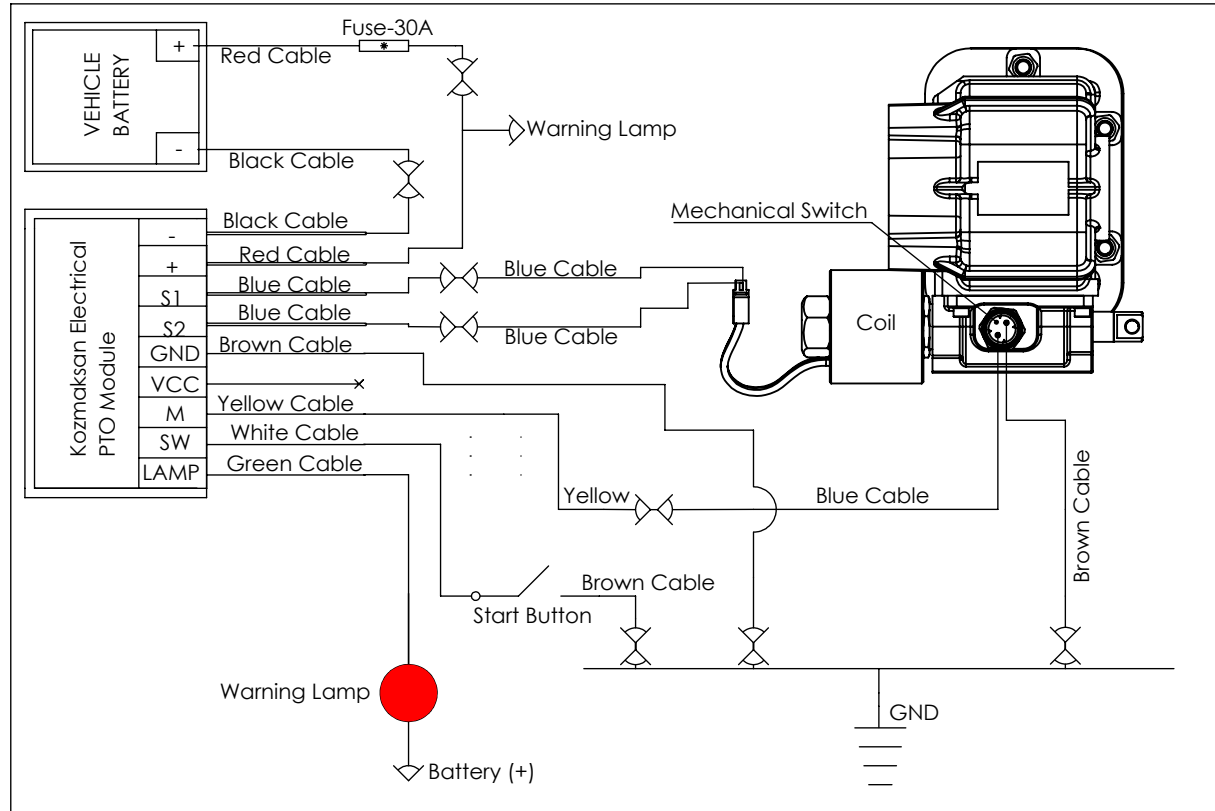
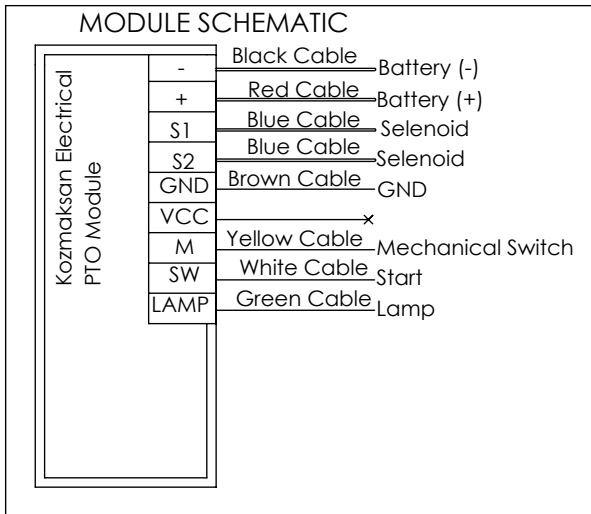


ELECTRICAL PTO MODULE CONNECTION DIAGRAM



Note 1: The coil can be used with either 12 volts or 24 volts, but whichever voltage is available, you should use an electrical PTO driver with the appropriate voltage.

Note 2: Vehicle control panels can vary from vehicle to vehicle. The example shown is for illustrative purposes only.

	İsim / Name	Tarih / Date	S.Boyut / Size	A4
Cizen / Drawn By	MEHMET ÇOŞKUN	09.02.26	Ölçek / Scale	1:10
Kontrol / Control By	ENGIN ARICI	09.02.26	Sayfa / Page	1 / 1
Onaylayan / Approved By	BÜLENT ÜNAL	09.02.26	Standart	

KOZANOĞLU KOZMAKSAN



Bu belge K.Kozmaksan Ltd. şirketine ait özel ve gizli bilgiler içerir. İzinsiz olarak yayımlanmaz, kopyalanmaz, çoğaltılmaz veya üçüncü şahıslara aktarılmaz.
This document contains proprietary and confidential information belonging to K.Kozmaksan Ltd. The information enclosed may not be copied, reproduced or passed on to third parties without prior written consent of K.Kozmaksan Ltd.